

# Barrier Cable Products

**Precision-Hayes International** barrier cable products are used in vehicle and pedestrian barriers, such as parking structures.

The GRABB-IT product line, protected by multiple patents, reduces installation time significantly at sites. The standard products with preset spacing comply with industry coding, and custom solutions are also available.



## Easy and Precise, Every Time



Coating Type:  
**Zinc Plated**

Custom Solutions Available



### GRABB-IT® Install Tool

**H011638** is a magnetic power drill attachment designed for rapid installation of our GRABB-IT® Barrier Cable Products into a GRABB-IT® Rail.

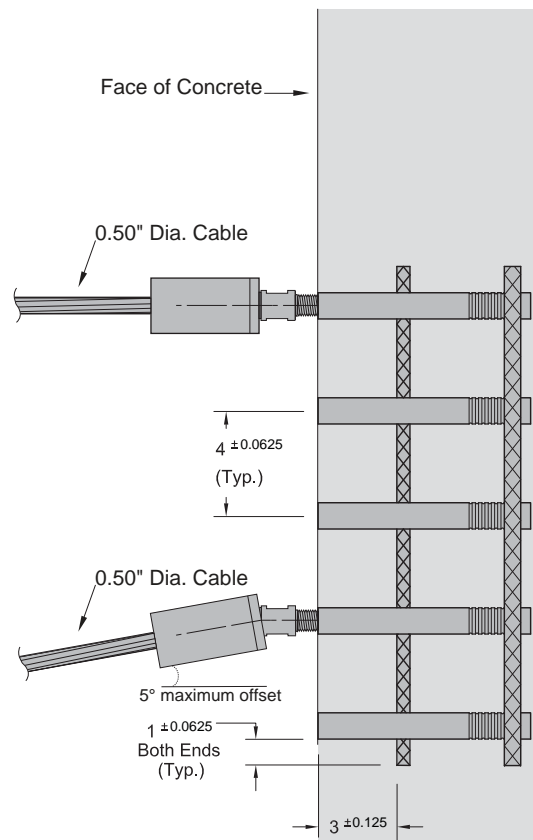


- Significantly reduced installation time
- Patented product allows for easy and precise installation of barrier cable systems
- Prefabricated GRABB-IT® termination points ensure proper cable placement
- On standard rail products, standard spacing complies with code requirements
- Can be customized to various configurations; number of termination points, spacing and coatings
- One size works for all cable strand sizes, provided the proper barrier cable products are used

### ▼ SELECTION CHART

Item Number	Description	Termination Points
<b>H008616</b>	GRABB-IT® RAIL ASSEMBLY - 4	4
<b>H008615</b>	GRABB-IT® RAIL ASSEMBLY - 5	5
<b>H008614</b>	GRABB-IT® RAIL ASSEMBLY - 6	6
<b>H008613</b>	GRABB-IT® RAIL ASSEMBLY - 7	7
<b>H008611</b>	GRABB-IT® RAIL ASSEMBLY - 8	8
<b>H008609</b>	GRABB-IT® RAIL ASSEMBLY - 9	9
<b>H008608</b>	GRABB-IT® RAIL ASSEMBLY - 10	10
<b>H008606</b>	GRABB-IT® RAIL ASSEMBLY - 11	11

Products listed feature standard spacings.



# GRABB-IT® Barrier Cable Products

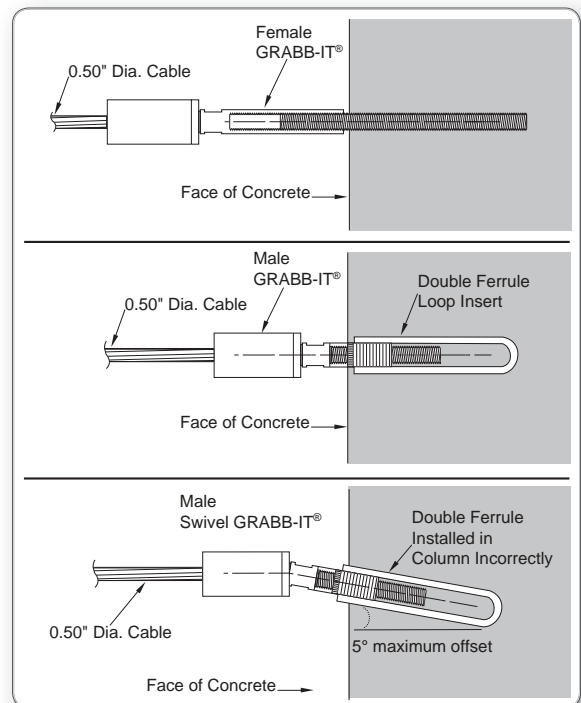
## Simple, Reliable and Cost Effective



Torque vs. Tension charts  
are available  
Contact us for more information.



- Typically used in vehicle and pedestrian barriers such as in parking structures
- Cable anchorage can be assembled prior to installation (with wedges fully seated)
- Double ferrule loop insert design allows easy installation
- Swivel GRABB-IT® accommodates 5° offset from ramp inclines and incorrect ferrule installation
- Neat appearance – no chipping or removal of concrete required
- Easy maintenance and repair of damaged cable
- Cost effective solution for installing or re-tensioning barrier cable



▼ Barrier cable system shown features galvanized threaded caps installed at a parking structure.



▼ Barrier Cable products provide an effective and economical solution for vehicle and pedestrian protection in this parking structure.



# GRABB-IT® Barrier Cable Products

Strand Size (in)	Item Number	Description	Weight (lbs)	
0.50	<b>H008195</b>	F8BP: Chuck Body	0.55	
0.50	<b>H008205</b>	FRCBP: RCB Chuck Body	0.55	
0.50	<b>H008196</b>	F22000: Chuck Body Threaded	0.60	
0.50	<b>H011283</b>	F22125: GRABB-IT® Barrier Cable Cap	0.36	
0.50	<b>H008273</b>	F500SL2P: 2-Part Wedge	0.13	
0.50	<b>H008276</b>	F500SL2RP: 2-Part Wedge with Ring	0.13	
0.50	<b>H008274</b>	F500SL3P: 3-Part Wedge with Ring	0.13	
0.50	<b>H007336</b>	F21600: Double Loop Ferrule Insert	2.72	
0.50	<b>H008459</b>	F18500: 0.50" Male GRABB-IT®	2.40	
0.50	<b>H008463</b>	F20500: 0.50" Female GRABB-IT®	2.20	
0.50	<b>H008470</b>	F17500: 0.50" GRABB-IT® Dead End Bar Chuck	1.30	
0.50	<b>H010594</b>	F17550: 0.50" GRABB-IT® Dead End Chuck w/ Male Thread Cap	1.70	
0.50	<b>H008460</b>	F18550: 0.50" Male Swivel GRABB-IT®	2.40	
0.50	<b>H008462</b>	F20550: 0.50" Female Swivel GRABB-IT®	2.20	
0.50	<b>H008589</b>	F21000: 0.50" GRABB-IT® Splice	8.00	

Note: For other strand sizes, consult factory.

## Barrier Cable Products



Strand Sizes:

**0.25, 0.375 and 0.50 inch**

Wedge Types:

**2-part and 3-part**

Coating Type:

**Zinc Plated**

Barrier Cable Testing and Submittal documents are available



Contact us for more information.

### SCJ-204 Jack

The H008009, SCJ-204 Jack, with a 4" stroke is a great compact solution for stressing short cables in tight spaces - a common challenge in Barrier Cable applications.



Page: 27

▼ Zinc-plating provides increased corrosion resistance and protection from exposure to the elements inherent in many parking structures.

