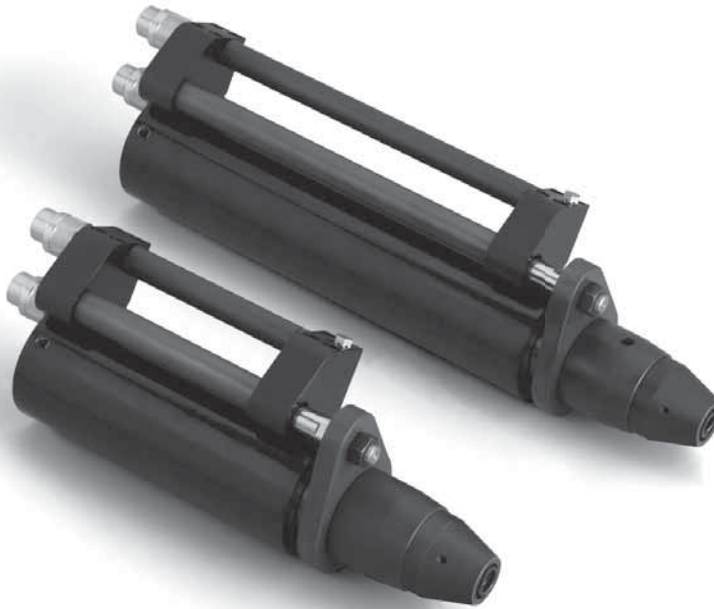


PHI0105 Rev. B 01/15



6DAH 306

6DAH 308

6DAH 3012

Precision-Hayes International manufactures the 6DAH-Series jacks from a hardened steel to exacting specifications. The result is a durable, lightweight, and compact stressing jack. These attributes make the 6DAH-Series the jacks of choice for elevated construction projects.

- Hollow Double-acting jacks with anti-rotation handle
- 6DAH306 - 30 ton, stresses up to .6" strand with 6" stroke
- 6DAH308 - 30 ton, stresses up to .6" strand with 8" stroke
- 6DAH3012 - 30 ton stresses up to .6" strand with 12" stroke
- Effective Area: 5.47 in²
- Additional wedge sizes available, contact Precision-Hayes

From stressing accessories to hardware, Precision-Hayes carries the most complete line of jacks and related components in the industry.

Compact, lightweight,
double-acting – ideal for
elevated construction projects.

Stressing Jacks

6DAH306, 6DAH308, 6DAH3012 30 Ton Jacks

About Our Company

Precision-Hayes offers a complete line of anchors, chucks, wedges, and jack stressing systems for the post tension, prestress and mining industries. With over 30,000 square foot of manufacturing space, we are located in Seagoville, Texas, just south of Dallas. Our dedication and commitment to excellence have made our company the leading supplier to these industries.

Double-Action System

The 6DAH-Series jacks are double-acting, meaning that the jacks advance and retract using hydraulic power. After the desired stressing pressure is achieved, the valve on the pump is switched to the retract position. Engaging the pump causes the jack to begin its return stroke.

The grippers are hydraulically released from the strand when the jack is fully retracted.

Capacities

6DAH-Series, 30-ton jacks, stress strand up to .6" in diameter. For use with smaller strand, jack grippers of different sizes are available. Eight inch and 12" stroke jack assemblies are in stock for immediate delivery.

Systems and Parts

The 6DAH-Series jacks can be purchased as single complete units with pump, hoses, and gauge.

We carry all of the pumps and valves necessary to operate our jack systems, along with a full line of replacement parts.

Changing Grippers

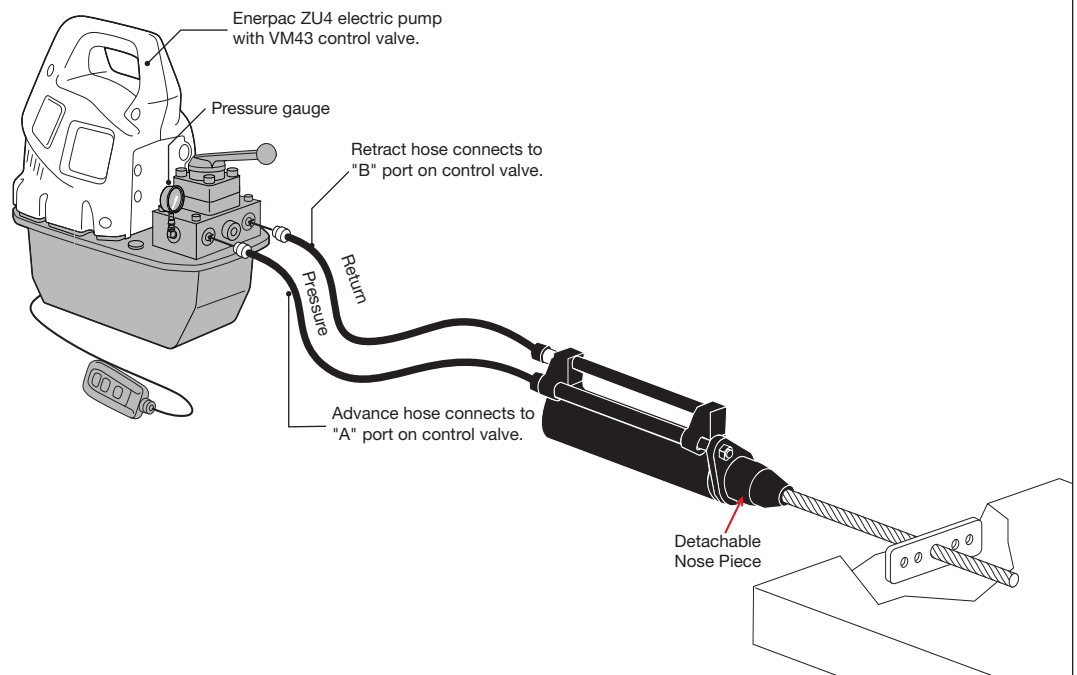
Grippers can be changed due to wear or to tension different size strands. The Jacks are shipped set-up with grippers for .6" strand. Optional Grippers are available for .5" strand, as well. For other sizes, contact Precision-Hayes for information.



To change the grippers, remove the Nose Piece and Head to expose the Gripper Housing. Un-screw the Gripper Housing and remove the old grippers, one at a time, from the back of the Gripper Housing. Insert the new Grippers, one at a time, into the rear of the Gripper Housing. Re-assemble the Head and Nose Piece to the correct torque and the Jack is ready to go. See figure 2.

▼ SPECIFICATION CHART

Tool Capacity (ton)	Seater Type	Strand Diameter Standard (in)	Model Number	Tool Operation	Stroke (in)	Oil Capacity (in ³)	Tool Effective Area (in ²)	Max. Pressure (psi)	Weight (lbs)
30	Spring	0.60	6DAH-306	D/A	6.0	32.8	5.47	10,000	44
30	Spring	0.60	6DAH-308	D/A	8.0	43.7	5.47	10,000	48
30	Spring	0.60	6DAH-3012	D/A	12.0	65.6	5.47	10,000	61

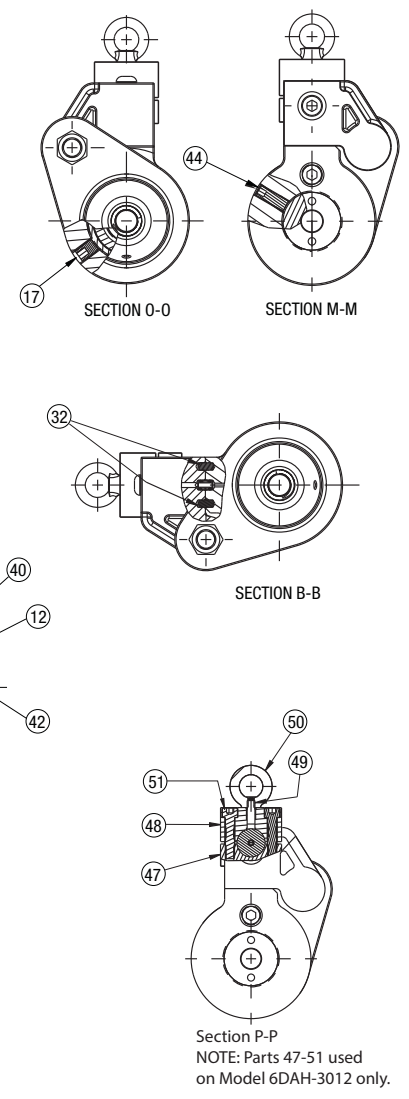
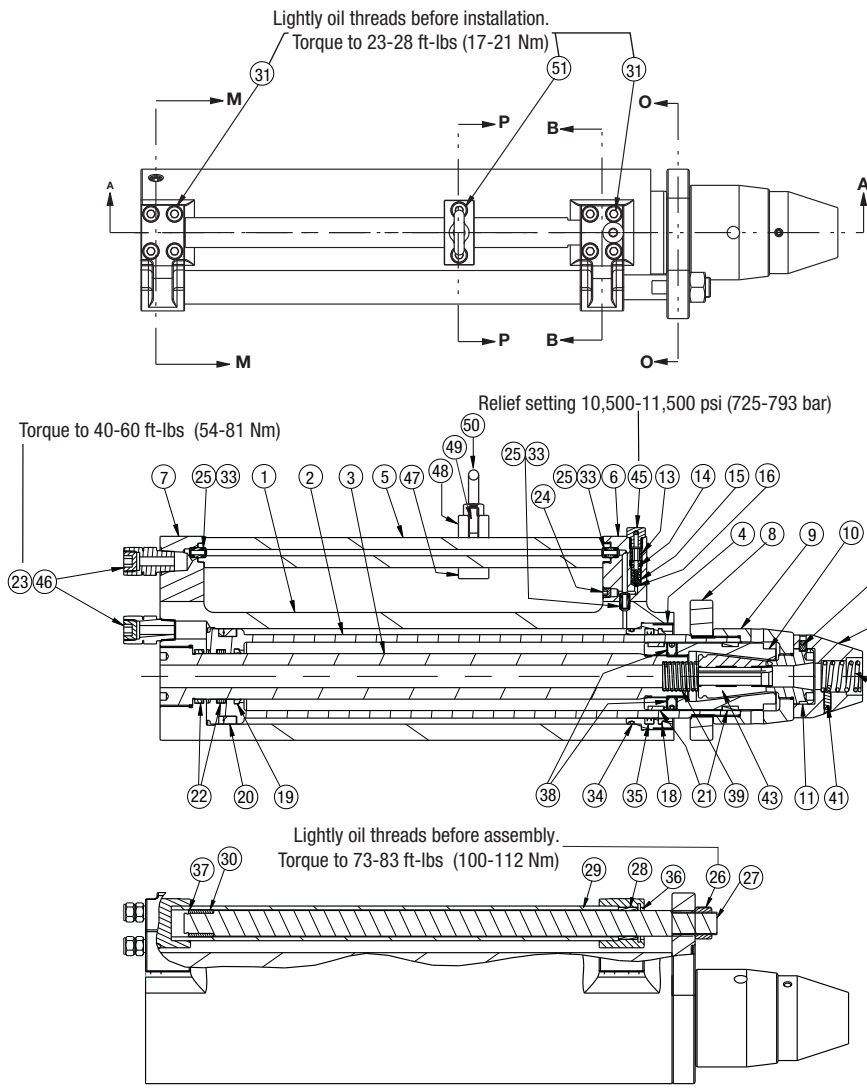


6DAH306, 6DAH308, 6DAH3012

30 Ton Jacks

Stressing Jacks

PHI0105 Rev. 2 01/15



Item	6DAH306 Model No.	6DAH308 Model No.	6DAH3012 Model No.	Description	Qty.
1	6DAH306FS	6DAH308FS	6DAH3012FS	PT Jack, 150mm, 200mm, & 300mm stroke subassembly	1
1	DD2434030	DD2433030	DD2432030	Cylinder, 150mm, 200mm, & 300mm stroke	1
2	DD2430040	DD2431040	DD2429040	Plunger, 150mm, 200mm, & 300mm stroke	1
3	DD2450268	DD2451268	DD2449268	Center tube, 150mm, 200mm, & 300mm stroke	1
4	DD2442044	DD2442044	DD2442044	Stop Ring	1
5	DD2816070	DD2815070	DD2814070	Handle, 150mm, 200mm, & 300mm stroke	1
6	DD2749840	DD2749840	DD2749840	Boss, upper	1
7	DD2750840	DD2750840	DD2750840	Boss, lower	1
8	DD2775013	DD2775013	DD2775013	Guide Ring	1
9	DD2441264	DD2441264	DD2441264	Head	1
10	DD2440489	DD2440489	DD2440489	Collet Chuck	1
11	DD2446013	DD2446013	DD2446013	Guide	1
12	DD2783005	DD2783005	DD2783005	Nose	1
13	DC1185048	DC1185048	DC1185048	Set Screw	1
14	A8126110	A8126110	A8126110	Spring	1
15	A8038570	A8038570	A8038570	Ball Cap	1
16	B1003016	B1003016	B1003016	Ball	1

Cont.

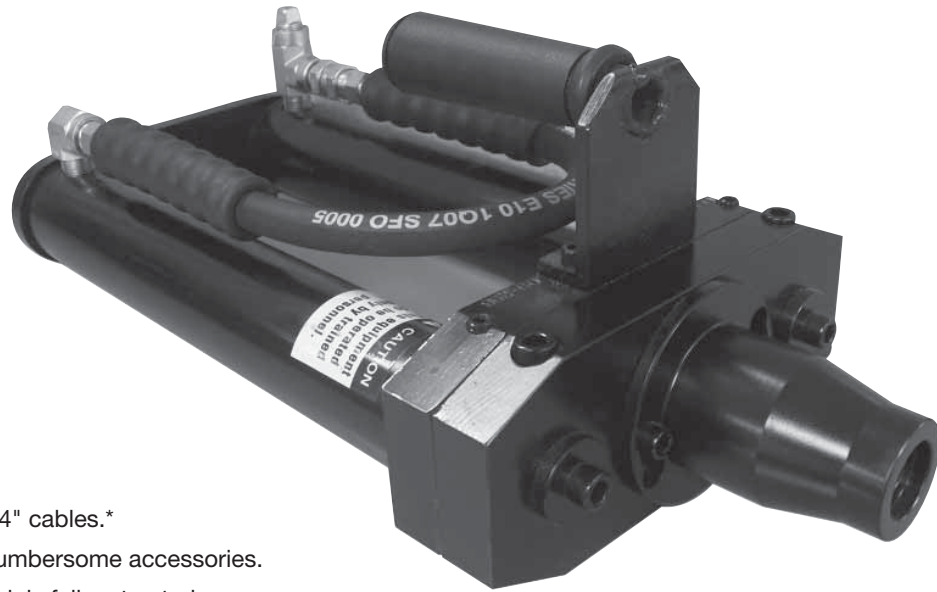
Stressing Jacks

6DAH Stressing Jack

Item	6DAH306 Model No.	6DAH308 Model No.	6DAH3012 Model No.	Description	Qty.
17	CCA1219028-5A	CCA1219028-5A	CCA1219028-5A	Set Screw	1
18	CR77044	CR77044	CR77044	Wiper	1
19	DD2771776	DD2771776	DD2771776	Center tube wiper	1
20	DD2764041	DD2764041	DD2764041	Polypak piston seal with PIP ring	1
21	DD3924155	DD3924155	DD3924155	Wear Ring	2
22	DD2767041	DD2767041	DD2767041	Polypak Seal	2
23	FZ1660	FZ1660	FZ1660	#3/8-3/8 NPT SWIVEL FITTING	2
24	A1006245	A1006245	A1006245	0.063 NPTF Flush plug, Teflon coated	1
25	DD2809268	DD2809268	DD2809268	Tube, connector	3
26	CBE1160120-1D	CBE1160120-1D	CBE1160120-1D	Nut	1
27	DD2762268	DD2763268	DD2439268	Antirotation rod, 150mm, 200mm, & 300mm stroke	1
28	DD2784039	DD2784039	DD2784039	Bushing	1
29	DD2819268	DD2818268	DD2817268	Guide Tube, 150mm, 200mm, & 300mm stroke	1
30	DD2782039	DD2782039	DD2782039	Bushing	1
31	CBA829028-1A	CBA829028-1A	CBA829028-1A	SHCS, M8 X 40	8
32	CAA615061-2B	CAA615061-2B	CAA615061-2B	PIN, 6mm DIA X 12 mm	4
33	B1003503	B1003503	B1003503	O-Ring	6
34	B1149903	B1149903	B1149903	O-Ring	1
35	B1334514	B1334514	B1334514	GT Ring	1
36	DD2780249	DD2780249	DD2780249	Circlip	1
37	DD2781049	DD2781049	DD2781049	Circlip	1
38	DD2772009	DD2772009	DD2772009	Nylon Set Screw	2
39	DD2770110	DD2770110	DD2770110	Spring	1
40	CCA613028-5A	CCA613028-5A	CCA613028-5A	Set Screw	1
41	CCA619028-5C	CCA619028-5C	CCA619028-5C	Set screw cone point	1
42	DD2823110	DD2823110	DD2823110	Spring	1
43	407510	407510	407510	Gripper, 0.6"	1
	407500	407500	407500	Gripper, 0.5"	1
44	CCA1023028-5A	CCA1023028-5A	CCA1023028-5A	Set Screw	1
45	DD3914009	DD3914009	DD3914009	Deflector Plug	1
46	A1009245	A1009245	A1009245	0.375 NPTF Flush plug, teflon coated	2
47	-	-	DD4343111	Bracket, Lower	1
48	-	-	DD4344111	Bracket, Upper	1
49	-	-	DD4405305	Stud, M8	1
50	-	-	DD4345667	Eye Nut, M8	1
51	-	-	CBA827028-1A	SHCS, M8 X 35	2

1. Improper care and use of stressing equipment may result in property damage, and/or personal injury. Only trained, qualified personnel should be allowed in the immediate vicinity of equipment during use. Personnel doing the stressing and inspectors should remain clear of the strand being stressed at all times. Never permit anyone to stand in the immediate vicinity of the jack and the pump while stressing.
2. Position the jack on the strand to be stressed and push forward until the jack nose bears on the anchor. Never attempt to adjust the position of the jack, either by striking or pushing after any load has been applied. Remove the jack and reposition if necessary.
3. Place the pump 4-way valve in stressing position.
4. Operate the pump by use of the pendent switch. (Use of the pendent switch allows the operator to stand at the side of the pump, out of harm's way, should the strand or jack grippers fail.)
 - a. Start pump motor and run until proper pressure is indicated on the pressure gauge.
 - b. Switch 4-way valve to retract position.
 - c. When the jack is fully retracted, stop the pump and switch the 4-way valve to stressing position. The grippers should release hydraulically. It is important to stop the pump and switch the valve quickly to avoid excessive pressure build-up in the jack after it has completely returned. This excessive pressure build-up can cause premature failure of the jack seals, hoses and fittings.

SCJ-Short Cable Jack



- Safe and effective for pulling 4" cables.*
- No need for chairs or other cumbersome accessories.
- Gripper jaws release when jack is fully retracted.
- Requires only single hose and standard pump.
- Uses standard 10" stroke cylinders; other strokes are available - call for quote.
- Replacement parts readily available.

** For shorter cables, consult factory.*

Don'ts of Stressing

Stressing Jacks

1. Don't stress any tendons which contain concrete slurry inside the anchor cavity. Concrete in the anchor cavity will prevent proper seating of the wedges. It is safer and less expensive to clean out concrete slurry than to have detension, repair or replace tendons, or repair the jack.
2. Don't use the jack when you can see that it does not seat properly on the face of the anchor.
3. Don't overstress tendons in order to achieve proper elongation.
4. Don't allow obstructions in the path of the jack extension.
5. Don't use extension cords longer than 100 ft. (30m) or less than 3 wire, 12 gauge.
6. Don't continue stressing if you suspect that something is not working properly.
7. Don't detension with loose plates, spacing shims or piggy backing.
8. Don't stand in immediate vicinity of the jack, or between the jack and the pump during stressing or destressing.
9. Don't permit other workmen in the immediate area of the jack or pump during stressing operations.
10. Don't hammer or beat on the jack or jack cylinders.
11. Don't do anything if your not sure – ask someone who knows.

ALL OF THE INFORMATION LISTED IS MEANT TO BE A GENERAL GUIDELINE FOR OPERATION OF POST TENSION STRESSING EQUIPMENT. THE POST TENSIONING INSTITUTE PUBLISHES A "FIELD PROCEDURES MANUAL FOR UNBONDED SINGLE STRAND TENDONS" WHICH CAN BE OBTAINED BY CALLING (248) 848-3180.

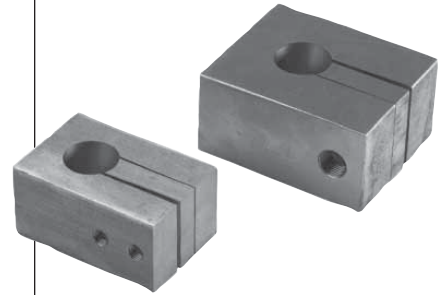
Stressing Accessories

Stressing Jacks

ZU4908PB Pump with Powerseat Valve



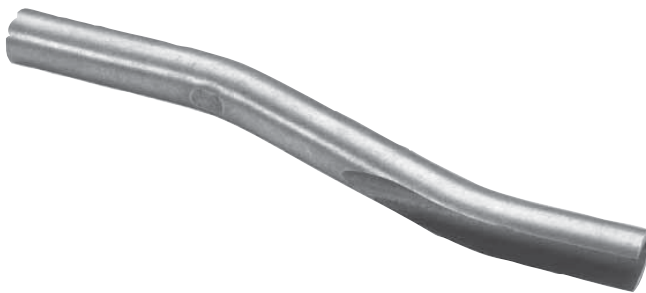
**.5" Trouble Shooting Anchor
.6" Trouble Shooting Anchor**



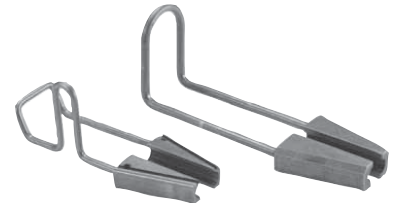
Jack Feet



Hand Wedge Setter



**5DA1 Grippers with Handle,
Standard Grippers with Handle**



**Reusable Splice Chuck
and Short Cable Tube with
Detachable Nose Piece**



Chrome Pulling Wedges



Precision-Hayes manufactures and stocks a broad line of hardware and equipment for the Prestress, Mining and Post Tension Industries.



Sure-Lock® Multi-Use Chucks

Designed for repeated use, Sure-lock® spring-loaded chucks are 100% mag particle inspected for cracks and imperfections, and each body is proof-tested to 125% of ultimate strand breaking load. Carefully controlled heat-treatment of components provides you with Extended Life and fully-warranted products. Bayonet-style caps allow quick release for easy cleaning and inspection. Combination reusable splice chucks for all types and sizes of strand are readily available.

Sure-Lock® One-Time Use Chucks

Our one-time use chuck is available with 2 or 3 piece wedge set. Cost effective design and reliable quality have been the Sure-Lock® standard for more than 15 years. One-time use splice chucks are also available, for all types and sizes of strand.



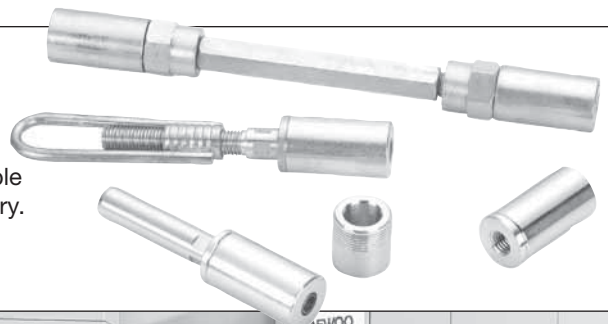
Sure-Lock® Anchorage Systems



The Sure-Lock® system is the industry "standard", and has been fully tested to all PTI requirements. This system is used worldwide, in thousands of applications.

Barrier Cable Products

GRABB-IT® and other barrier cable components are available from stock for next day delivery.



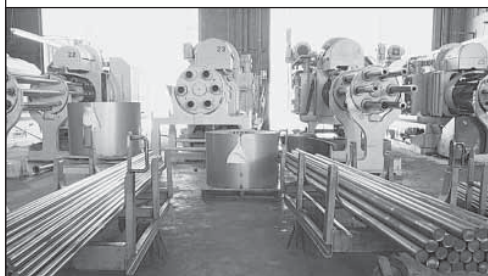
We also offer . . .

Fabrication Equipment

- Complete Fabrication Lines
- Material Handling Equipment
- Expert Advise and Installation

Strand Extrusion Systems

- Turn-Key Extrusion Systems
- Custom Components for Upgrade
- Over 25 Years Experience Building Production Equipment



Wedges

Wedges are machined from high quality steel and case hardened to precise specifications. All Sure-Lock® wedges are lot-controlled. They can be supplied in sizes 3/8" thru .7" with 2 or 3 piece wedges and retaining rings available.

704 WEST SIMONDS RD. Seagoville, TX 75159 Proudly made in the USA since 1946 972-287-2390 Fax 972-287-4469 www.precision-hayes.com

